

Site Accessibility Evaluation

Americans with Disabilities Act Title II (Public Services: State and Local Government)



CSPD Impound Lot

**1353 S 8th St
Colorado Springs, CO
80905**

Accessibility Evaluation

*Inspection Date: 08/01/2018
Inspector: Michael Killebrew*

Prepared By



OLYMPIC CITY USA

(719) 385 - 5175

<https://coloradosprings.gov/>

TO: CSPD

FROM: Robert L. Hernandez

DATE: April 1, 2019

SUBJECT: CSPD/Impound Lot Self-Evaluation

1. On April 6, 2016, Mr. Michael Killebrew, Title II ADA/Section 504 Coordinator performed a Title II - Americans with Disabilities Act (ADA), Self-Evaluation. This evaluation was in accordance with 1991/2010 ADA Standards for Accessible Design. A re-evaluation was conducted on August 1, 2018.

2. Priorities for accessibility are assigned in accordance with the ADA Checklist for Existing Facilities. The checklist follows the four priorities listed in the Department of Justice ADA Title III regulations. These priorities are equally applicable to state and local government facilities:

Priority 1 - Accessible approach and entrance

Priority 2 - Access to goods and services

Priority 3 - Access to public toilet rooms

Priority 4 - Access to other items such as water fountains and public telephones

3. Corrective actions to findings were/will be submitted for corrective action through the city maintenance work request system and Transition Plan. Note: Recommended corrections in some cases where needed will be modified when appropriate. Corrections are developed in consideration of the "Program Access" provisions of Title II, where applicable.

4. A copy of this report will be maintained in the Office of Accessibility.

City of Colorado Springs Title II ADA/Section 504 – Manager
30 S. Nevada Ave, Suite 301
Colorado Springs, CO 80903
rhernandez@springsgov.com

Atch 1. City of Colorado Springs, ADA Self-Evaluation Report

Sincerely,

A handwritten signature in blue ink that reads "Robert Hernandez". The signature is written in a cursive style.

Robert Hernandez

Accessible Parking

Lat: 38.8142535000, Long: -104.8392164000

Finding: 1

The parking sign is mounted too low.

Parking space identification signs shall include the International Symbol of Accessibility. Signs identifying van parking spaces shall contain the designation "van accessible." Signs shall be 60 inches minimum above the finish floor or ground surface measured to the bottom of the sign.

2010 ADAS Section 502.6

Parking space identification signs shall include the International Symbol of Accessibility complying with 703.7.2.1. Signs identifying van parking spaces shall contain the designation "van accessible." Signs shall be 60 inches (1525 mm) minimum above the finish floor or ground surface measured to the bottom of the sign.

Citation:

2010 ADAS Section: 502.6

As Built:

The three signs are mounted at 58" to the bottom edge (none are van accessible).

Recommendation:

Raise existing signs so they are 60 inches minimum above the ground surface.

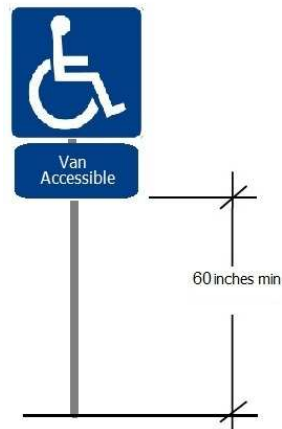
Add van access sign to the far left parking space closest to the door.

Barrier Priority:

1 (High): Should be completed immediately. (Includes findings that have little or no cost, were in violation of the codes at the time of construction, or pose an imminent safety threat)



Finding 182901 Main Photo



Accessible Parking

Lat: 38.8142535000, Long: -104.8392164000

Finding: 2

The cross slopes (narrow dimension) and/or running slopes (long dimension) of the accessible stall exceeds 2%.

The running slope and the cross slope in an accessible parking stall and the access aisle must not exceed 2%.

2010 ADAS Section 502.4

Parking spaces and access aisles serving them shall comply with 302. Access aisles shall be at the same level as the parking spaces they serve. Changes in level are not permitted.

Citation:

2010 ADAS Section: 502.4

As Built:

40' long x 4' wide across the parking spaces and access aisles running slopes as high as 3%.

Recommendation:

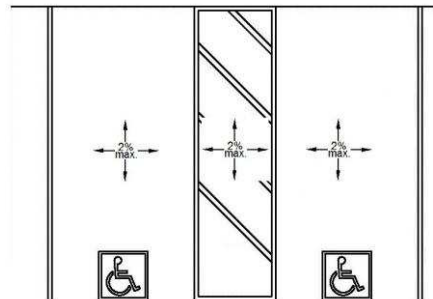
Correct the cross slope of the stalls to 2% or less.

Barrier Priority:

1 (High): Should be completed immediately. (Includes findings that have little or no cost, were in violation of the codes at the time of construction, or pose an imminent safety threat)



Finding 182902 Main Photo



Finding #2 Additional Finding Photos



Finding 182902 Additional Photo



Finding 182902 Additional Photo

Accessible Parking

Lat: 38.8142535000, Long: -104.8392164000

Finding: 3

The accessible parking stall is not wide enough.

Each parking space must be at least 8' feet wide and shall be marked to define the width.

The measurements of parking spaces and access aisles shall be made from the centerline of the markings. Where the parking space is not adjacent to another parking space or access aisle, the measurement shall be permitted to include the full width of the line defining the parking space.

Alternatively, the stall can be 11 feet wide minimum and the access aisle may be 5 feet wide.

2010 ADAS Section 502.2

Car parking spaces shall be 96 inches (2440 mm) wide minimum and van parking spaces shall be 132 inches (3350 mm) wide minimum, shall be marked to define the width, and shall have an adjacent access aisle complying with 502.3.

Citation:

2010 ADAS Section: 502.2

As Built:

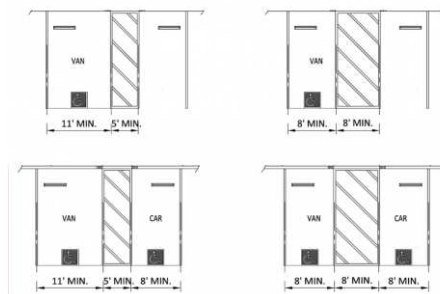
Accessible parking space on the right is 7'6"

Recommendation:

Re-stripe parking space.

Barrier Priority:

N/A



Impound Lot

Lat: 38.8142535000, Long: -104.8392164000

Finding: 4

The accessible route contains loose gravel and/or surfaces that do not provide for a stable, firm slip resistant surface.

2010 ADAS Section 302.1

Floor and ground surfaces shall be stable, firm, and slip resistant and shall comply with 302.

Citation:

2010 ADAS Section: 302.1

As Built:

Pick-up area surface
not firm, stable, or
slip resistant.

Recommendation:

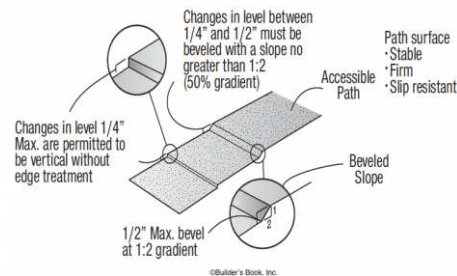
Pave concrete pad adjacent to walkway to allow ample space for pick-up.

Barrier Priority:

2 (Important): Should be completed as soon as possible. (Includes findings that would remove barriers to the greatest number of people to your goods and services)



Finding 182926 Main Photo



Finding #4 Additional Finding Photos



Finding 182926 Additional Photo

Impound Lot

Lat: 38.8142535000, Long: -104.8392164000

Finding: 5

The walkway contains abrupt vertical edges and/or variations over a 1/4 inch.

1/4 inch is the maximum vertical rise. Changes in level between 1/4 inch and 1/2 inch must be beveled at 1:2 or less.

Changes in level greater than 1/2 inch must be by way of a ramp.

2010 ADAS Section 303.3

Changes in level between 1/4 inch (6.4 mm) high minimum and 1/2 inch (13 mm) high maximum shall be beveled with a slope not steeper than 1:2.

2010 ADAS Section 303.2

Changes in level of 1/4 inch (6.4 mm) high maximum shall be permitted to be vertical.

Citation:

2010 ADAS Section: 303.3, 303.2

As Built:

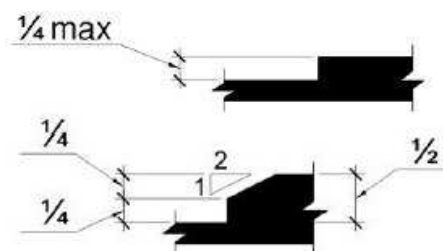
There are areas of vertical displacement up to 2" where the concrete meets the loose fill

Recommendation:

Connect the sidewalk to the future concrete pad where customers will pick up vehicles

Barrier Priority:

2 (Important): Should be completed as soon as possible. (Includes findings that would remove barriers to the greatest number of people to your goods and services)



Lobby

Lat: 38.8142535000, Long: -104.8392164000

Finding: 6

The transaction counter is too high.

A portion of the counter surface that is 36 inches long minimum and 36 inches high maximum above the finish floor shall be provided. Knee and toe space must be provided for a forward approach. A 30 inch by 48 inch clear floor space on an accessible route must be provided for either a forward or parallel approach.

2010 ADAS Section 904.4.2

A portion of the counter surface that is 30 inches (760 mm) long minimum and 36 inches (915 mm) high maximum shall be provided. Knee and toe space complying with 306 shall be provided under the counter. A clear floor or ground space complying with 305 shall be positioned for a forward approach to the counter.

2010 ADAS Section 904.4.1

A portion of the counter surface that is 36 inches (915 mm) long minimum and 36 inches (915 mm) high maximum above the finish floor shall be provided. A clear floor or ground space complying with 305 shall be positioned for a parallel approach adjacent to the 36 inch (915 mm) minimum length of counter.

Citation:

2010 ADAS Section: 904.4.2, 904.4.1

As Built:

Customer service access 42" above floor grade.

Recommendation:

Lower security window 6-8". The reach range is OK and the line of sight is marginally alright.

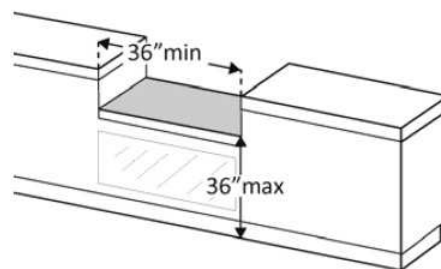
Until counter is corrected, staff must be ready, willing, and able to provide service at an alternate, accessible location.

Barrier Priority:

2 (Important): Should be completed as soon as possible. (Includes findings that would remove barriers to the greatest number of people to your goods and services)



Finding 182927 Main Photo



Unisex Restroom

Lat: 38.8142535000, Long: -104.8392164000

Finding: 7

The paper towel dispenser's operation mechanism is too high off the floor.

Dispensers must have all operable parts a maximum of 48 inches above the floor.

2010 ADAS Section 308.2.1

Where a forward reach is unobstructed, the high forward reach shall be 48 inches (1220 mm) maximum and the low forward reach shall be 15 inches (380 mm) minimum above the finish floor or ground.

Citation:

2010 ADAS Section: 308.2.1

As Built:

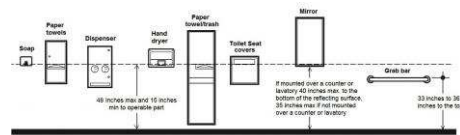
Towel dispenser is too high at 52".

Recommendation:

Move dispenser down at least 4", 6" is better due to trashcan placement.

Barrier Priority:

3 (Moderate): Should be completed as soon as possible, but there may be other items that will provide greater access to persons with disabilities. (Includes findings that have a high financial impact on the entity in relationship to the degree of access provided)



Finding 182928 Main Photo

Unisex Restroom

Lat: 38.8142535000, Long: -104.8392164000

Finding: 8

The flush handle is located on the wrong side of the toilet.

Controls shall be operable with one hand and shall not require tight grasping, pinching or twisting. Controls for the flush valves shall be mounted on the wide side of toilet areas, no more than 48 inches above the floor.

2010 ADAS Section 604.6

Flush controls shall be hand operated or automatic. Hand operated flush controls shall comply with 309. Flush controls shall be located on the open side of the water closet except in ambulatory accessible compartments complying with 604.8.2.

Citation:

2010 ADAS Section: 604.6

As Built:

Flush is on the closed side.

Recommendation:

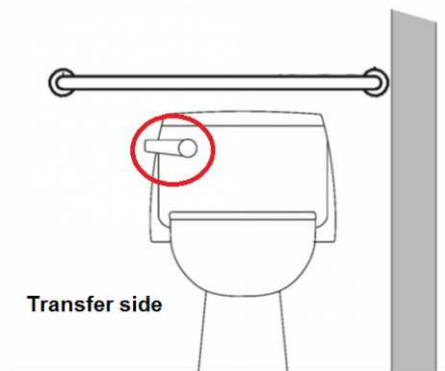
Move the flush to open side (this will require obtaining another tank).

Barrier Priority:

3 (Moderate): Should be completed as soon as possible, but there may be other items that will provide greater access to persons with disabilities. (Includes findings that have a high financial impact on the entity in relationship to the degree of access provided)



Finding 182929 Main Photo



Unisex Restroom

Lat: 38.8142535000, Long: -104.8392164000

Finding: 9

The grab bar is not spaced correctly to the wall or other elements.

The space between the wall and the grab bar shall be 1-1/2 inches. Adjacent elements shall be positioned to provide unobstructed use of grab bars. The space between the grab bar and projecting objects below and at the ends shall be 1-1/2 inches minimum. The space between the grab bar and projecting objects above shall be 12 inches minimum.

2010 ADAS Section 609.3

The space between the wall and the grab bar shall be 1 1/2 inches (38 mm). The space between the grab bar and projecting objects below and at the ends shall be 1 1/2 inches (38 mm) minimum. The space between the grab bar and projecting objects above shall be 12 inches (305 mm) minimum.

Citation:

2010 ADAS Section: 609.3

As Built:

Toilet seat covers are only 3.5" above the bar.

Recommendation:

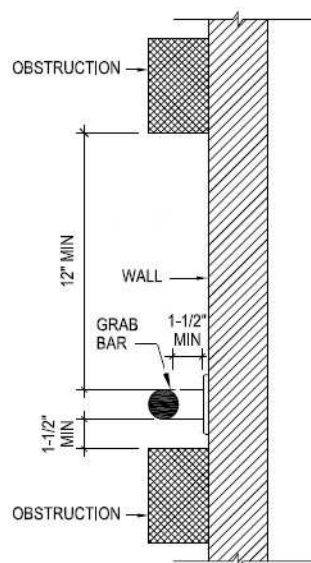
Move the toilet seat covers to 1.5" below the grab bar.

Barrier Priority:

3 (Moderate): Should be completed as soon as possible, but there may be other items that will provide greater access to persons with disabilities. (Includes findings that have a high financial impact on the entity in relationship to the degree of access provided)



Finding 182930 Main Photo



Unisex Restroom

Lat: 38.8142535000, Long: -104.8392164000

Finding: 10

The toilet is not located within the range allowed from the side wall or partition.

The centerline of the toilet must be 16 to 18 inches from the side wall.

2010 ADAS Section 604.2

The water closet shall be positioned with a wall or partition to the rear and to one side. The centerline of the water closet shall be 16 inches (405 mm) minimum to 18 inches (455 mm) maximum from the side wall or partition, except that the water closet shall be 17 inches (430 mm) minimum and 19 inches (485 mm) maximum from the side wall or partition in the ambulatory accessible toilet compartment specified in 604.8.2. Water closets shall be arranged for a left-hand or right-hand approach.

Citation:

2010 ADAS Section: 604.2

As Built:

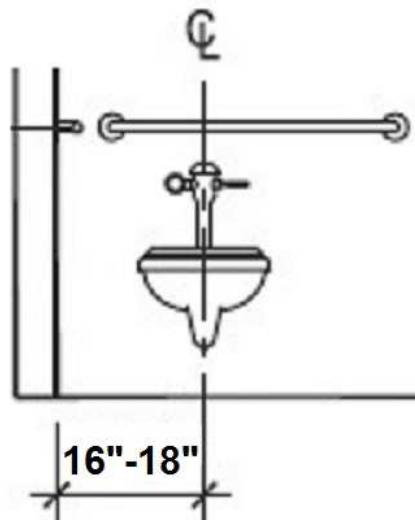
The toilet is 1/2" too far from the wall at 18.5" to the centerline of the toilet.

Recommendation:

Move toilet over 1/2"+, (use flange) if feasible. If not the wall can be moved over the same distance

Barrier Priority:

3 (Moderate): Should be completed as soon as possible, but there may be other items that will provide greater access to persons with disabilities. (Includes findings that have a high financial impact on the entity in relationship to the degree of access provided)



Finding 182931 Main Photo

Unisex Restroom

Lat: 38.8142535000, Long: -104.8392164000

Finding: 11

The rear grab bar is not a minimum 36 inches in length.

Grab bars shall be installed in a horizontal position, 33 inches minimum and 36 inches maximum above the finish floor measured to the top of the gripping surface and the space between the grab bar and the top of the tank (any obstruction) shall be 1-1/2 inches minimum.

2010 ADAS Section 604.5.2

The rear wall grab bar shall be 36 inches (915 mm) long minimum and extend from the centerline of the water closet 12 inches (305 mm) minimum on one side and 24 inches (610 mm) minimum on the other side.

Citation:

2010 ADAS Section: 604.5.2

As Built:

Rear grab bar 30" long.

Recommendation:

Remove existing rear grab bar and replace with 36" grab bar.

Barrier Priority:

3 (Moderate): Should be completed as soon as possible, but there may be other items that will provide greater access to persons with disabilities. (Includes findings that have a high financial impact on the entity in relationship to the degree of access provided)



Finding 182932 Main Photo

