

# Site Accessibility Evaluation

## Americans with Disabilities Act Title II (Public Services: State and Local Government)



### Fire Station 18

6830 Hadler View  
Colorado Springs, CO  
80919

Accessibility Evaluation

*Inspection Date: 02/12/2017*  
*Inspector: Michael Killebrew,*  
*Anna Kangas*

Prepared By



OLYMPIC CITY USA

(719) 385 - 5175

<https://coloradosprings.gov/>

TO: CSFD

FROM: Robert L. Hernandez

DATE: May 31, 2019

SUBJECT: Fire Station 18 Self-Evaluation

1. On February 12, 2017, Mr. Michael Killebrew, Title II ADA/Section 504 Coordinator performed a Title II - Americans with Disabilities Act (ADA), Self-Evaluation. This evaluation was in accordance with 1991/2010 ADA Standards for Accessible Design. A reevaluation was conducted on April 3, 2019 with the assistance of Anna Kangas, Architect/Title II ADA/Section 504 Coordinator.

2. Priorities for accessibility are assigned in accordance with the ADA Checklist for Existing Facilities. The checklist follows the four priorities listed in the Department of Justice ADA Title III regulations. These priorities are equally applicable to state and local government facilities:

Priority 1 - Accessible approach and entrance

Priority 2 - Access to goods and services

Priority 3 - Access to public toilet rooms

Priority 4 - Access to other items such as water fountains and public telephones

3. Corrective actions to findings were/will be submitted for corrective action through the city maintenance work request system and Transition Plan. Note: Recommended corrections in some cases where needed will be modified when appropriate. Corrections are developed in consideration of the "Program Access" provisions of Title II, where applicable.

4. A copy of this report will be maintained in the Office of Accessibility.

City of Colorado Springs Title II ADA/Section 504 – Manager  
30 S. Nevada Ave, Suite 301  
Colorado Springs, CO 80903  
robert.hernandez@coloradosprings.gov

Atch 1. City of Colorado Springs, ADA Self-Evaluation Report

Sincerely,



Robert Hernandez

**Exterior - Parking**

**Lat: 38.9290203000, Long: -104.8660304000**

**Finding: 1**

The van stall is missing a sign identifying it as a van accessible stall.

**Parking space identification signs shall include the International Symbol of Accessibility. Signs identifying van parking spaces shall contain the designation "van accessible."**

*2010 ADAS Section 502.6*

*Parking space identification signs shall include the International Symbol of Accessibility complying with 703.7.2.1. Signs identifying van parking spaces shall contain the designation "van accessible." Signs shall be 60 inches (1525 mm) minimum above the finish floor or ground surface measured to the bottom of the sign.*

**Citation:**

2010 ADAS Section: 502.6

**As Built:**

There is no van accessible sign on either accessible parking space.

**Recommendation:**

Add a van accessible sign.

**Barrier Priority:**

1 (High): Should be completed immediately. (Includes findings that have little or no cost, were in violation of the codes at the time of construction, or pose an imminent safety threat)

**Department:**

CSFD



**Finding #1 Additional Finding Photos**



**Finding 184320 Additional Photo**

**Exterior - Parking**

**Lat: 38.9290203000, Long: -104.8660304000**

**Finding: 2**

The accessible parking stall's access aisle contains a built up curb ramp which results in significant slopes greater than 2 percent.

Surface slopes of accessible parking spaces and access aisles shall be the minimum possible and shall not exceed one unit vertical in 50 units, horizontal (2-percent slope) in any direction.

*2010 ADAS Section 502.4*

*Parking spaces and access aisles serving them shall comply with 302. Access aisles shall be at the same level as the parking spaces they serve. Changes in level are not permitted.*

**Citation:**

2010 ADAS Section: 502.4

**As Built:**

There is a ramp in the access aisle.

**Recommendation:**

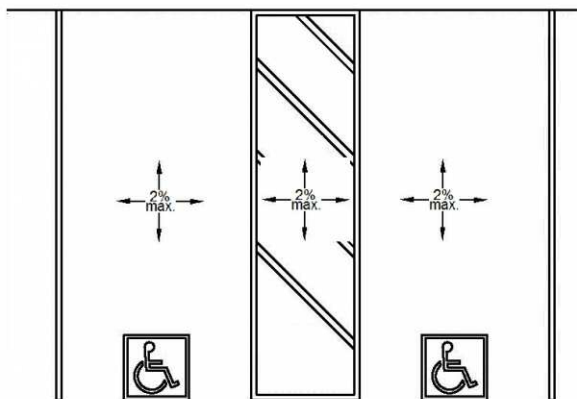
Move the ramp to the sidewalk area.

**Barrier Priority:**

1 (High): Should be completed immediately. (Includes findings that have little or no cost, were in violation of the codes at the time of construction, or pose an imminent safety threat)

**Department:**

CSFD





**Exterior - Parking**

**Lat: 38.9290203000, Long: -104.8660304000**

**Finding: 3**

The cross slope (narrow dimension) of the parking stall exceeds 2%.

The running and cross slope in an accessible parking stall and the access aisle must not exceed 2%.

*2010 ADAS Section 502.4*

*Parking spaces and access aisles serving them shall comply with 302. Access aisles shall be at the same level as the parking spaces they serve. Changes in level are not permitted.*

**Citation:**

2010 ADAS Section: 502.4

**As Built:**

The cross slope in the accessible parking is 3.5%.

**Recommendation:**

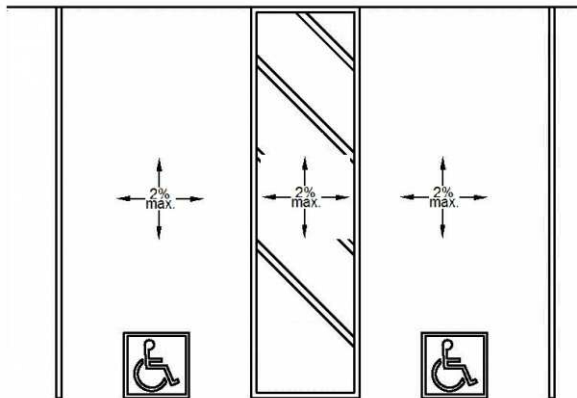
Replace the pavement so the cross slope is 2% maximum or as close to this as is feasible.

**Barrier Priority:**

1 (High): Should be completed immediately. (Includes findings that have little or no cost, were in violation of the codes at the time of construction, or pose an imminent safety threat)

**Department:**

CSFD



Exterior - Parking

Lat: 38.9290203000, Long: -104.8660304000

Finding: 4

Since there is only one accessible parking space, it should be van accessible. This requires the parking space to be 8'-0" wide with an 8'-0" wide access aisle, or an 11'-0" wide space with a 5'-0" wide access aisle.

2010 ADAS Section 502.2 Exception

Van parking spaces shall be permitted to be 96 inches (2440 mm) wide minimum where the access aisle is 96 inches (2440 mm) wide minimum.

Citation:

2010 ADAS Section: 502.2 Exception

As Built:

There is only one accessible parking space, and the access aisle is 6'-8".

Recommendation:

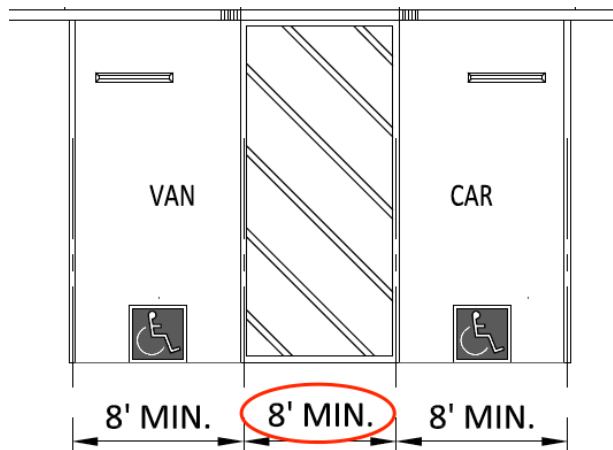
Explore ways to make the access aisle wider.

Barrier Priority:

1 (High): Should be completed immediately. (Includes findings that have little or no cost, were in violation of the codes at the time of construction, or pose an imminent safety threat)

Department:

CSFD



**Exterior - Parking**

**Lat: 38.9290203000, Long: -104.8660304000**

**Finding: 5**

In addition to the gap at the edge of the curb, the gutter pan is 17" wide.

The change in level where the gutter meets the curb ramp is greater than 1/4 inch.

1/4 inch is the maximum vertical rise. Changes in level between 1/4 inch and 1/2 inch must be beveled at 1:2 or less. Changes in level greater than 1/2 inch must be by way of a ramp.

*2010 ADAS Section 303.3*

*Changes in level between 1/4 inch (6.4 mm) high minimum and 1/2 inch (13 mm) high maximum shall be beveled with a slope not steeper than 1:2.*

**Citation:**

2010 ADAS Section: 303.3

**As Built:**

There's a 4" wide by 1-3/4" deep gap at the gutter pan at the access aisle.

**Recommendation:**

Fill the gap if we need to gain the additional 17" to the curb for access aisle width.

**Barrier Priority:**

1 (High): Should be completed immediately. (Includes findings that have little or no cost, were in violation of the codes at the time of construction, or pose an imminent safety threat)

**Department:**

CSFD





## Exterior - Entrance

Lat: 38.9290203000, Long: -104.8660304000

### Finding: 6

The door bell is positioned too high for either a side or front approach.

Where a clear floor or ground space allows a parallel approach to an element and the side reach is unobstructed, the high side reach shall be 48 inches maximum and the low side reach shall be 15 inches minimum above the finish floor or ground.

Where a forward reach is unobstructed, the high forward reach shall be 48 inches maximum and the low forward reach shall be 15 inches minimum above the finish floor or ground.

2010 ADAS Section 308.1  
Reach ranges shall comply with 308.

#### Citation:

2010 ADAS Section: 308.1

#### As Built:

The door bell is mounted at 50".

#### Recommendation:

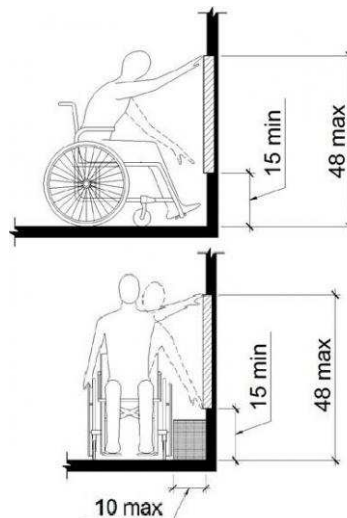
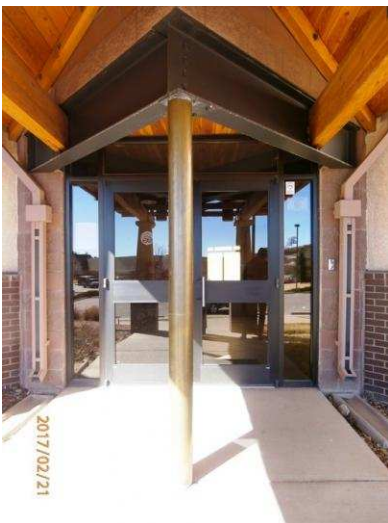
Lower the door bell to 48" maximum.

#### Barrier Priority:

1 (High): Should be completed immediately. (Includes findings that have little or no cost, were in violation of the codes at the time of construction, or pose an imminent safety threat)

#### Department:

CSFD



**Exterior - Entrance**

Lat: 38.9290203000, Long: -104.8660304000

**Finding: 7**

The door bell is positioned too high for either a side or front approach.

Where a clear floor or ground space allows a parallel approach to an element and the side reach is unobstructed, the high side reach shall be 48 inches maximum and the low side reach shall be 15 inches minimum above the finish floor or ground.

Where a forward reach is unobstructed, the high forward reach shall be 48 inches maximum and the low forward reach shall be 15 inches minimum above the finish floor or ground.

2010 ADAS Section 308.1  
Reach ranges shall comply with 308.

**Citation:**

2010 ADAS Section: 308.1

**As Built:**

The interior door bell is mounted at 50".

**Recommendation:**

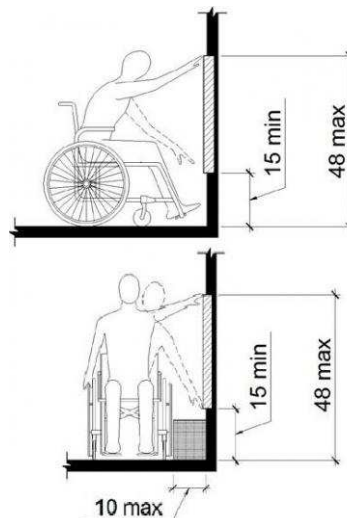
Lower the door bell to 48" maximum.

**Barrier Priority:**

1 (High): Should be completed immediately. (Includes findings that have little or no cost, were in violation of the codes at the time of construction, or pose an imminent safety threat)

**Department:**

CSFD



## **Exterior - Entrance**

**Lat: 38.9290203000, Long: -104.8660304000**

### **Finding: 8**

Compliant room identification signs are missing on the strike side of the door.

Wall signs identifying permanent rooms and spaces of a building shall be in a horizontal format and the characters raised 1/32 inch minimum and shall be sans serif uppercase characters a minimum of 5/8 inch and a maximum of 2 inches high. Contracted Grade 2 Braille shall be in a horizontal format and shall be placed a minimum of 3/8 inch and a maximum of 1/2 inch directly below the tactile characters; flush left or centered. Dots shall be 1/10 inch on center in each cell with 2/10-inch space between cells, measured from the second column of dots in the first cell to the first column of dots in the second cell. Dots shall be raised a minimum of 1/40 inch above the background. Braille dots shall be domed or rounded. Signs with raised characters or Braille shall be located 48 inches minimum above the finish floor or ground surface, measured from the baseline of the lowest tactile character and 60 inches maximum above the finish floor or ground surface, measured from the baseline of the highest tactile character.

*2010 ADAS Section 216.2*

*Interior and exterior signs identifying permanent rooms and spaces shall comply with 703.1, 703.2, and 703.5. Where pictograms are provided as designations of permanent interior rooms and spaces, the pictograms shall comply with 703.6 and shall have text descriptors complying with 703.2 and 703.5.*

*2010 ADAS Section 703.4.2*

*Where a tactile sign is provided at a door, the sign shall be located alongside the door at the latch side. Where a tactile sign is provided at double doors with one active leaf, the sign shall be located on the inactive leaf. Where a tactile sign is provided at double doors with two active leaves, the sign shall be located to the right of the right hand door. Where there is no wall space at the latch side of a single door or at the right side of double doors, signs shall be located on the nearest adjacent wall. Signs containing tactile characters shall be located so that a clear floor space of 18 inches (455 mm) minimum by 18 inches (455 mm) minimum, centered on the tactile characters, is provided beyond the arc of any door swing between the closed position and 45 degree open position.*

#### **Citation:**

**2010 ADAS Section: 216.2, 703.4.2**

#### **As Built:**

**There is not a sign at the interior door to the fire station.**

#### **Recommendation:**

**Install a sign with tactile/Braille.**

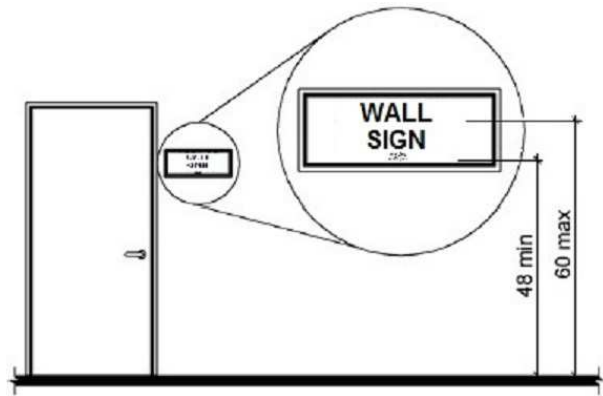
#### **Barrier Priority:**

**2 (Important): Should be completed as soon as possible. (Includes findings that would remove barriers to the greatest number of people to your goods and services)**

#### **Department:**

**CSFD**

Finding #8 Continued



## Interior - Men's Restroom

Lat: 38.9290203000, Long: -104.8660304000

### Finding: 9

The wall sign is mounted too high.

Tactile Characters on signs shall be located 48 inches minimum above the finish floor or ground surface, measured from the baseline of the lowest tactile character and 60 inches maximum above the finish floor or ground surface, measured from the baseline of the highest tactile character. Mounting location shall be determined so that a person may approach within 3 inches of signage without encountering protruding objects and shall be located so that a clear floor space of 18 inches minimum by 18 inches minimum, centered on the tactile Characters, is provided beyond the arc of any door swing between the closed position and 45 degree open position.

2010 ADAS Section 703.4.1

Tactile characters on signs shall be located 48 inches (1220 mm) minimum above the finish floor or ground surface, measured from the baseline of the lowest tactile character and 60 inches (1525 mm) maximum above the finish floor or ground surface, measured from the baseline of the highest tactile character.

#### Citation:

2010 ADAS Section: 703.4.1

#### As Built:

The restroom sign is mounted at 61".

#### Recommendation:

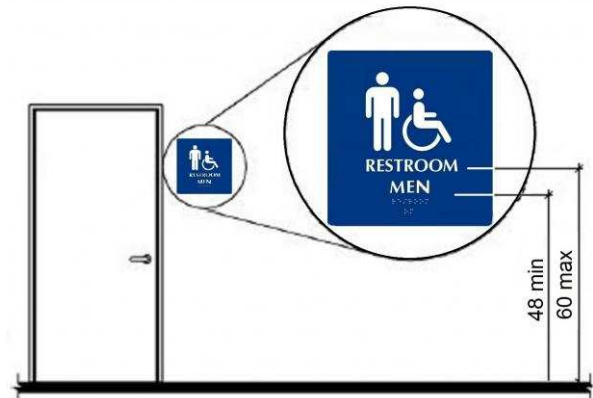
Lower the sign to 60" to the top edge.

#### Barrier Priority:

2 (Important): Should be completed as soon as possible. (Includes findings that would remove barriers to the greatest number of people to your goods and services)

#### Department:

CSFD





**Interior - Men's Restroom**

**Lat: 38.9290203000, Long: -104.8660304000**

**Finding: 10**

The force required to operate the door hardware exceeds the maximum.

The force required to activate operable parts is 5 pounds maximum.

*2010 ADAS Section 309.4*

*Operable parts shall be operable with one hand and shall not require tight grasping, pinching, or twisting of the wrist. The force required to activate operable parts shall be 5 pounds (22.2 N) maximum.*

**Citation:**

2010 ADAS Section: 309.4

**As Built:**

The restroom door requires 13 lbs of force to open.

**Recommendation:**

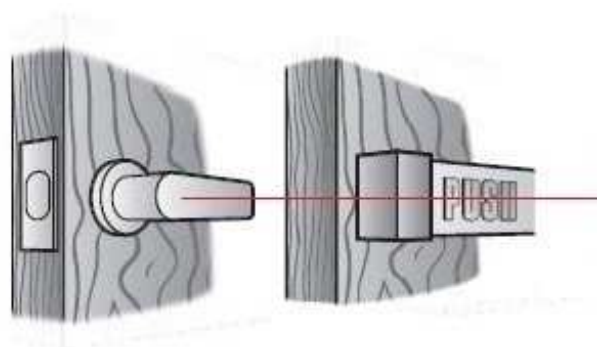
Adjust the door closer to 5lbs maximum.

**Barrier Priority:**

3 (Moderate): Should be completed as soon as possible, but there may be other items that will provide greater access to persons with disabilities. (Includes findings that have a high financial impact on the entity in relationship to the degree of access provided)

**Department:**

CSFD



## Interior - Women's Restroom

Lat: 38.9290203000, Long: -104.8660304000

### Finding: 11

The wall sign is mounted too high.

Tactile Characters on signs shall be located 48 inches minimum above the finish floor or ground surface, measured from the baseline of the lowest tactile character and 60 inches maximum above the finish floor or ground surface, measured from the baseline of the highest tactile character. Mounting location shall be determined so that a person may approach within 3 inches of signage without encountering protruding objects and shall be located so that a clear floor space of 18 inches minimum by 18 inches minimum, centered on the tactile Characters, is provided beyond the arc of any door swing between the closed position and 45 degree open position.

2010 ADAS Section 703.4.1

Tactile characters on signs shall be located 48 inches (1220 mm) minimum above the finish floor or ground surface, measured from the baseline of the lowest tactile character and 60 inches (1525 mm) maximum above the finish floor or ground surface, measured from the baseline of the highest tactile character.

#### Citation:

2010 ADAS Section: 703.4.1

#### As Built:

The restroom sign is mounted at 61".

#### Recommendation:

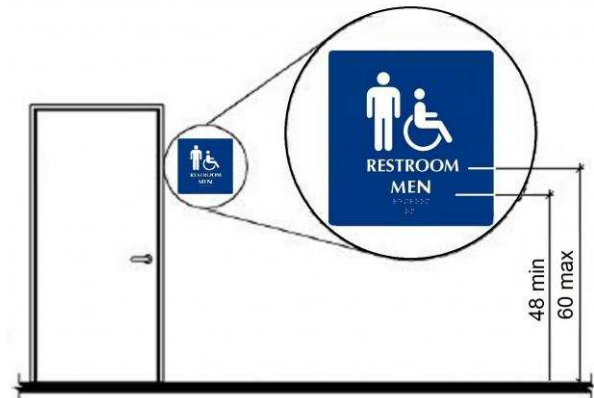
Lower the sign to 60" to the top edge.

#### Barrier Priority:

2 (Important): Should be completed as soon as possible. (Includes findings that would remove barriers to the greatest number of people to your goods and services)

#### Department:

CSFD



## Interior - Women's Restroom

Lat: 38.9290203000, Long: -104.8660304000

### Finding: 12

The force required to operate the door hardware exceeds the maximum.

The force required to activate operable parts is 5 pounds maximum.

2010 ADAS Section 309.4

Operable parts shall be operable with one hand and shall not require tight grasping, pinching, or twisting of the wrist. The force required to activate operable parts shall be 5 pounds (22.2 N) maximum.

#### Citation:

2010 ADAS Section: 309.4

#### As Built:

The restroom door requires 9 lbs of force to open.

#### Recommendation:

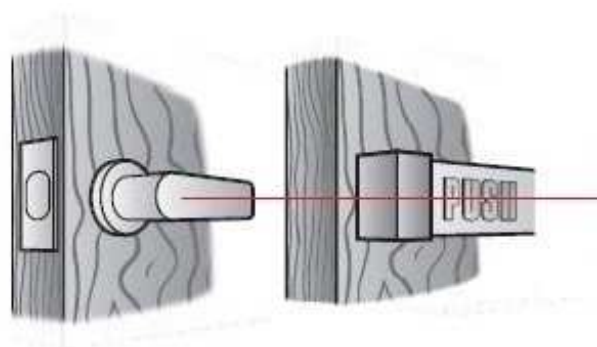
Adjust the door closer to 5lbs to the top edge.

#### Barrier Priority:

3 (Moderate): Should be completed as soon as possible, but there may be other items that will provide greater access to persons with disabilities. (Includes findings that have a high financial impact on the entity in relationship to the degree of access provided)

#### Department:

CSFD



## **Interior - Women's Restroom**

**Lat: 38.9290203000, Long: -104.8660304000**

### **Finding: 13**

The toilet paper is not installed within the compliant range.

Toilet paper dispensers shall be 7 inches minimum and 9 inches maximum in front of the water closet measured to the centerline of the dispenser. The outlet of the dispenser shall be 15 inches minimum and 48 inches maximum above the finish floor and shall not be located behind grab bars. Dispensers shall not be of a type that controls delivery or that does not allow continuous paper flow. There shall be a clearance of 1 1/2 inches minimum below the grab bar.

*2010 ADAS Section 604.7*

*Toilet paper dispensers shall comply with 309.4 and shall be 7 inches (180 mm) minimum and 9 inches (230 mm) maximum in front of the water closet measured to the centerline of the dispenser. The outlet of the dispenser shall be 15 inches (380 mm) minimum and 48 inches (1220 mm) maximum above the finish floor and shall not be located behind grab bars. Dispensers shall not be of a type that controls delivery or that does not allow continuous paper flow.*

#### **Citation:**

**2010 ADAS Section: 604.7**

#### **As Built:**

**The toilet paper dispenser is mounted 4" from the front of the toilet.**

#### **Recommendation:**

**Move the toilet paper dispenser to 7 to 9" from the front of the toilet.**

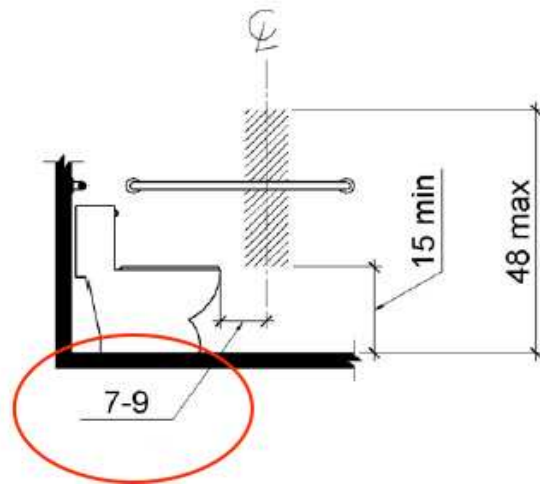
#### **Barrier Priority:**

**3 (Moderate): Should be completed as soon as possible, but there may be other items that will provide greater access to persons with disabilities. (Includes findings that have a high financial impact on the entity in relationship to the degree of access provided)**

#### **Department:**

**CSFD**

Finding #13 Continued





## Interior - Women's Restroom

Lat: 38.9290203000, Long: -104.8660304000

### Finding: 14

The flush handle is located on the wrong side of the toilet.

Controls shall be operable with one hand and shall not require tight grasping, pinching or twisting. Controls for the flush valves shall be mounted on the wide side of toilet areas, no more than 48 inches above the floor.

2010 ADAS Section 604.6

Flush controls shall be hand operated or automatic. Hand operated flush controls shall comply with 309. Flush controls shall be located on the open side of the water closet except in ambulatory accessible compartments complying with 604.8.2.

#### Citation:

2010 ADAS Section: 604.6

#### As Built:

The flush handle is on the wrong side of the toilet.

#### Recommendation:

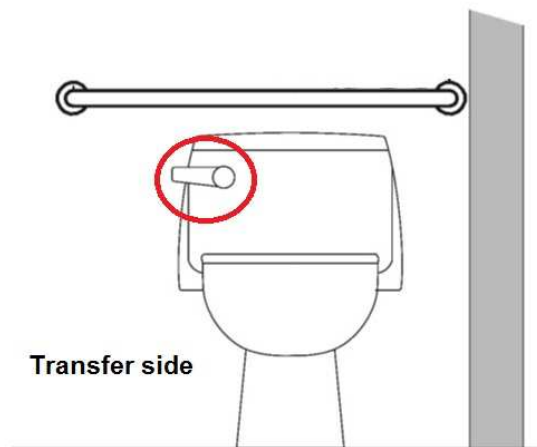
Replace the tank so the flush handle is on the open side of the toilet.

#### Barrier Priority:

3 (Moderate): Should be completed as soon as possible, but there may be other items that will provide greater access to persons with disabilities. (Includes findings that have a high financial impact on the entity in relationship to the degree of access provided)

#### Department:

CSFD



**Interior - Community Room**

**Lat: 38.9290203000, Long: -104.8660304000**

**Finding: 15**

The Braille is not the correct type.

Braille shall be contracted (Grade 2)

2010 ADAS Section 703.3

Braille shall be contracted (Grade 2) and shall comply with 703.3 and 703.4

**Citation:**

2010 ADAS Section: 703.3

**As Built:**

The community room sign is not tactile/Braille.

**Recommendation:**

Install another sign with tactile/Braille to the right of the double doors 60" to the top edge.

**Barrier Priority:**

2 (Important): Should be completed as soon as possible. (Includes findings that would remove barriers to the greatest number of people to your goods and services)

**Department:**

CSFD



Some words and abbreviations used in Contracted (Grade 2) Braille

	⠠	⠡	⠢	⠣	⠤	⠥	⠦	⠧	⠨	⠩
	but	can	do	every	from	go	have			just
⠠	⠠	⠠	⠠		⠠	⠠	⠠	⠠	⠠	⠠
knowledge	like	more	not		people	quiet	rather	so	that	
⠠	⠠	⠠	⠠	⠠	⠠					
us	very	it	you	as	wil					
⠠	⠠	⠠	⠠	⠠	⠠	⠠	⠠	⠠	⠠	⠠
and	ar	by	cc	ch	com	dd	ea	ed	en	enough
		was	con	child		dis				
⠠	⠠	⠠	⠠	⠠	⠠	⠠	⠠	⠠	⠠	⠠
er	ff	for	gg	gh	in	ing	of	ou	ow	
	to	were					out			
⠠	⠠	⠠	⠠	⠠	⠠					
sh	st	the	th	wh	with					
shall	still		this	which						

**Interior - Community Room**

**Lat: 38.9290203000, Long: -104.8660304000**

**Finding: 16**

The force required to operate the door hardware exceeds the maximum.

The force required to activate operable parts is 5 pounds maximum.

*2010 ADAS Section 309.4*

*Operable parts shall be operable with one hand and shall not require tight grasping, pinching, or twisting of the wrist. The force required to activate operable parts shall be 5 pounds (22.2 N) maximum.*

**Citation:**

2010 ADAS Section: 309.4

**As Built:**

The doors into the community room require 9 and 10 lbs of force to open.

**Recommendation:**

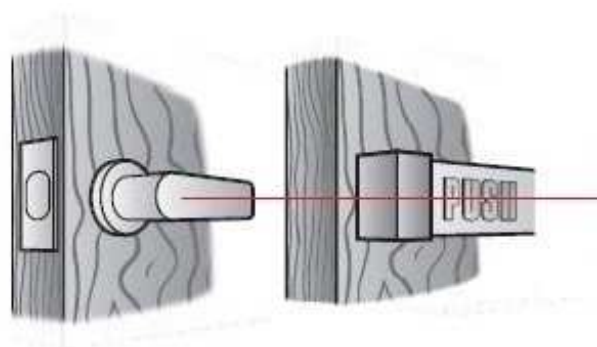
Adjust the door closers to 5lbs maximum.

**Barrier Priority:**

2 (Important): Should be completed as soon as possible. (Includes findings that would remove barriers to the greatest number of people to your goods and services)

**Department:**

CSFD



**Interior - Community Room**

**Lat: 38.9290203000, Long: -104.8660304000**

**Finding: 17**

The broken access panel causes a 1" by 4" by 1" deep gap in the floor.

There is a change in level greater than 1/4 inch.

1/4 inch is the maximum vertical rise. Changes in level between 1/4 inch and 1/2 inch must be beveled at 1:2 or less. Changes in level greater than 1/2 inch must be by way of a ramp.

*2010 ADAS Section 303.3*

*Changes in level between 1/4 inch (6.4 mm) high minimum and 1/2 inch (13 mm) high maximum shall be beveled with a slope not steeper than 1:2.*

**Citation:**

2010 ADAS Section: 303.3

**As Built:**

The floor access panel for audio/video is broken.

**Recommendation:**

Replace the access panel.

**Barrier Priority:**

1 (High): Should be completed immediately. (Includes findings that have little or no cost, were in violation of the codes at the time of construction, or pose an imminent safety threat)

**Department:**

CSFD

