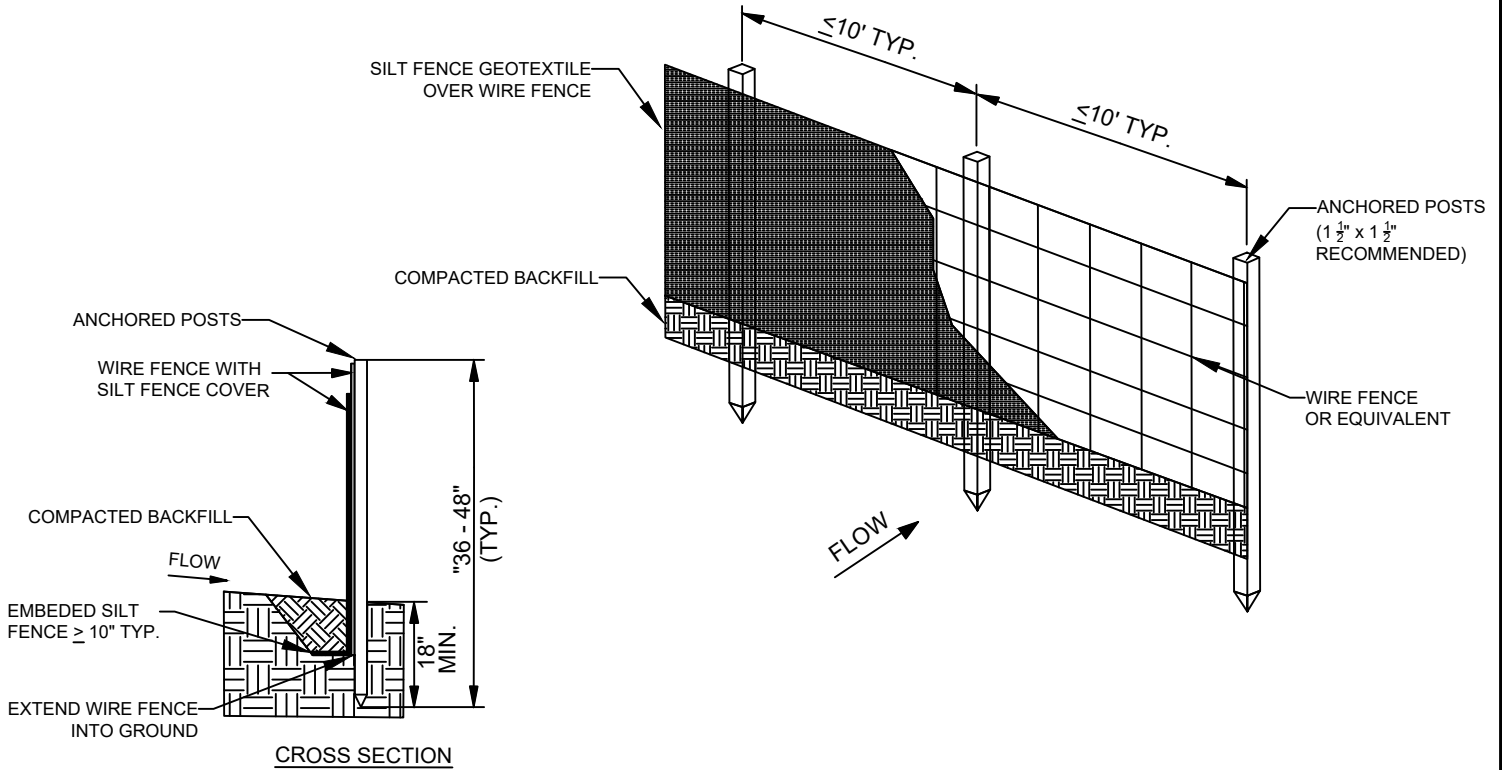
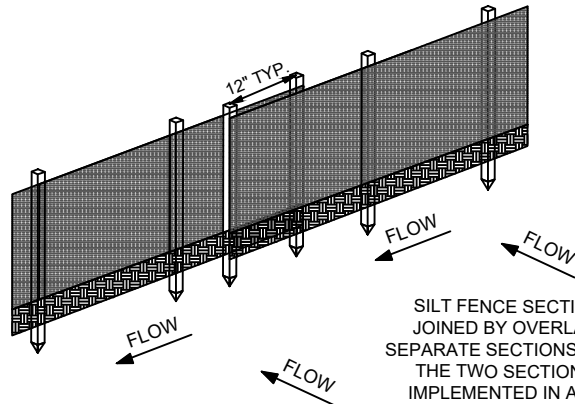


# REINFORCED SILT FENCE

RSF

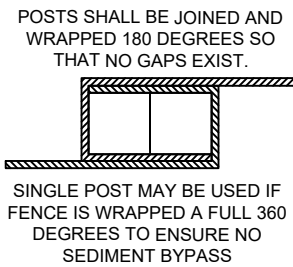


## OVERLAPPING JOINT



SILT FENCE SECTIONS MAY BE JOINED BY OVERLAPPING TWO SEPARATE SECTIONS TYPICALLY 12". THE TWO SECTIONS SHALL BE IMPLEMENTED IN A MANNER SO THAT NO GAPS ARE PRESENT.

## TYPICAL JOINT



### DESCRIPTION AND PURPOSE

REINFORCED SILT FENCE IS A MORE HEAVY DUTY SEDIMENT BARRIER OPTION FOR LOCATIONS WHERE STANDARD SILT FENCE MAY FAIL. BY BACKING THE WOVEN GEOTEXTILE FABRIC WITH WIRE FENCE, THE REINFORCED SILT FENCE CAN WITHSTAND HIGHER FLOWS OR PRESSURES.

ADAPTED FROM URBAN STORM DRAINAGE CRITERIA MANUAL VOLUME 3 BY UDFCD, CITY OF AURORA STANDARD DETAILS, AND DOUGLAS COUNTY GESD DETAILS

CMS ENVIRONMENTAL SOLUTIONS, LLC  
 1778 S. Broadway, Denver, CO 80210  
 P: (720) 343-6561, F: (303) 923-3416  
 WWW.CMSENVIRO.COM



Environmental Solutions  
 ENVIRONMENTAL COMPLIANCE MADE SIMPLE

# REINFORCED SILT FENCE



## **SUITABLE APPLICATIONS**

USE AT CONSTRUCTION SITES:

- DOWN SLOPE OF A DISTURBANCE AREA TO ACCEPT SHEET FLOW
- ALONG A PERIMETER OF A RECEIVING WATER SUCH AS A STREAM, POND, OR WETLAND.
- CONSTRUCTION SITE PERIMETER
- STOCKPILE MANAGEMENT

## **LIMITATIONS**

- IT IS NOT DESIGNED TO RECEIVE CONCENTRATED FLOWS OR TO BE USED AS A FILTER FABRIC.
- REINFORCE SILT FENCE CAN FAIL IF RELIED UPON AS ONLY LINE OF DEFENSE. FOR SIGNIFICANT SLOPE RUNOFF IT IS RECOMMENDED TO IMPLEMENT ADDITIONAL BMPS UPGRADIENT (SURFACE ROUGHENING, DIVERSION DITCHES, ETC.)
- REINFORCED SILT FENCE INSTALLED FOR OTHER REASONS, SUCH AS PERIMETER CONTROL, SHOULD BE INSTALLED IN A WAY THAT WILL NOT PRODUCE CONCENTRATED FLOWS.

## **IMPLEMENTATION**

- INSTALL ALONG THE CONTOUR OF SLOPES SO THAT IT INTERCEPTS SHEET FLOW.
- REINFORCED SILT FENCE AT THE TOE OF A SLOPE SHOULD BE INSTALLED IN A FLAT LOCATION SEVERAL FEET FROM THE TOE OF THE SLOPE TO ALLOW ROOM FOR PONDING AND DEPOSITION.
- A UNIFORM ANCHOR TRENCH SHALL BE EXCAVATED USING TRENCHER OR OTHER SILT FENCE INSTALLATION DEVICE. NO ROAD GRADERS, BACKHOES, OR SIMILAR EQUIPMENT SHALL BE USED.
- COMPACT ANCHOR TRENCH. TYPICAL METHODS INCLUDE WHEEL ROLLING, A "JUMPING JACK" OR COMPARABLE. FENCE SHALL RESIST BEING PULLED OUT OF ANCHOR TRENCH BY HAND.
- REINFORCED SILT FENCE JOINTS SHALL BE IMPLEMENTED PER THE TYPICAL OR OVERLAPPING JOINT DETAILS ON RSF-1. WHEN USING THE OVERLAPPING JOINT IMPLEMENT THE TWO SILT FENCE SECTIONS SO THAT NO GAPS ARE PRESENT BETWEEN THEM.
- WOODEN POSTS ARE COMMON, CHECK WITH LOCAL REGULATORY AGENCY TO SEE IF OTHERS ARE ACCEPTABLE (STEEL "T" OR "U" TYPE POSTS).
- AT THE END OF A SECTION OF FENCE, TURN PERPENDICULAR TO THE CONTOUR CREATING A "J-HOOK" OF SUFFICIENT LENGTH TO KEEP RUNOFF FROM FLOWING AROUND THE END.
- SHALL BE INSTALLED PRIOR TO ANY LAND DISTURBING ACTIVITIES.
- ADDITIONAL STAKES MAY BE PLACED ON THE FRONT SIDE OF SILT FENCE FOR ADDED STABILITY.
- WIRE FENCE TO BE SECURELY FASTENED TO FENCE POSTS AND SILT FENCE TO BE FASTENED TO WIRE FENCE WITH WIRE OR ZIP TIES.

## **INSPECTION AND MAINTENANCE**

- INSPECT IN ACCORDANCE WITH LOCAL REGULATIONS AND SITE SWMP TYPICALLY EVERY 7 OR 14 DAYS AND WITHIN 24 HOURS AFTER A STORM EVENT CAUSING SURFACE EROSION (72 HOURS IF THE SITE IS INACTIVE).
- SEDIMENT ACCUMULATED UPGRADIENT SHALL BE REMOVED AS NEEDED TO MAINTAIN THE FUNCTIONALITY OF THE BMP (TYPICALLY 1/2 THE HEIGHT).
- REPAIR OR REPLACE REINFORCED SILT FENCE IF DAMAGED OR FAILURE IS OBSERVED, MINOR WEAR AND TEAR HIGHER THAN 6" FROM THE GROUND MAY BE PATCHED OR TAPED TO MAINTAIN FUNCTIONALITY.
- REINFORCED SILT FENCE TO REMAIN IN PLACE UNTIL UPSTREAM AREAS ARE STABILIZED AND APPROVED BY LOCAL JURISDICTION.
- ANY DISTURBED AREAS OBSERVED AFTER OR DURING REMOVAL WILL REQUIRE IMPLEMENTATION OF STABILIZATION EFFORTS.

ADAPTED FROM URBAN STORM DRAINAGE CRITERIA MANUAL VOLUME 3 BY UDFCD, CITY OF AURORA STANDARD DETAILS, AND DOUGLAS COUNTY GESC DETAILS

CMS ENVIRONMENTAL SOLUTIONS, LLC  
1778 S. Broadway, Denver, CO 80210  
P: (720) 343-6561, F: (303) 923-3416  
WWW.CMSENVIRO.COM

