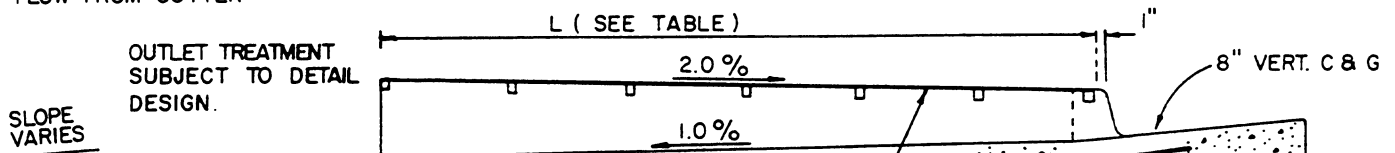


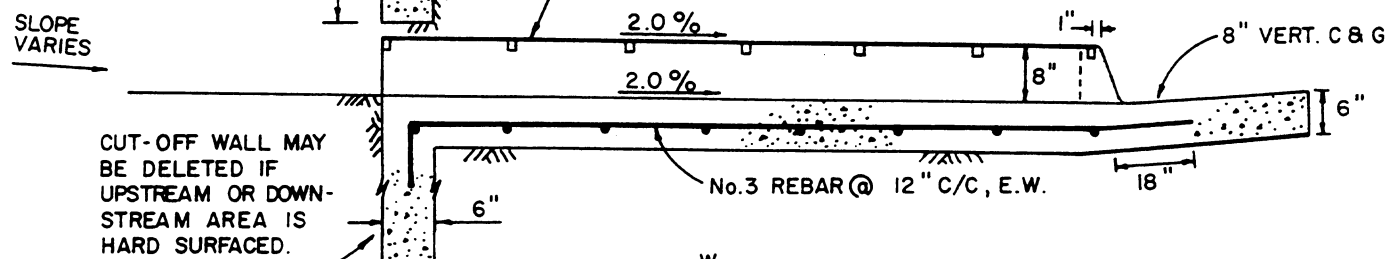
SECTION A-A

FLOW FROM GUTTER



SECTION A-A

FLOW TO GUTTER



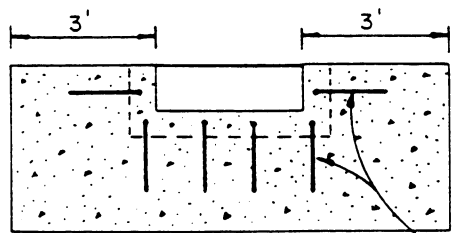
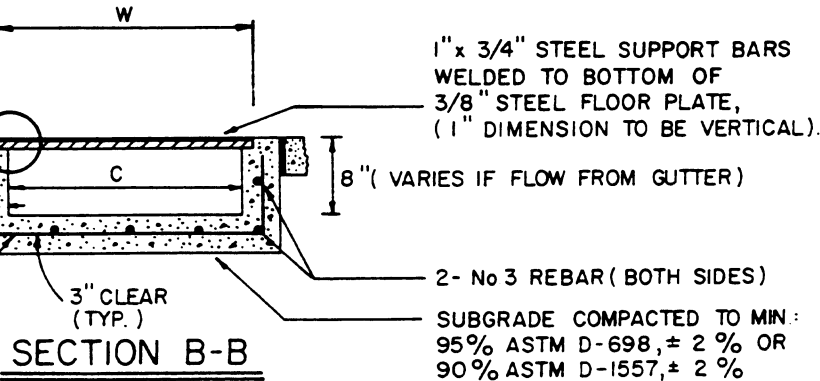
CUT-OFF WALL MAY BE DELETED IF UPSTREAM OR DOWNSTREAM AREA IS HARD SURFACED.

CUT-OFF WALL CAST AGAINST UNDISTURBED EARTH.

DETAIL ① (SEE SHEET 2)

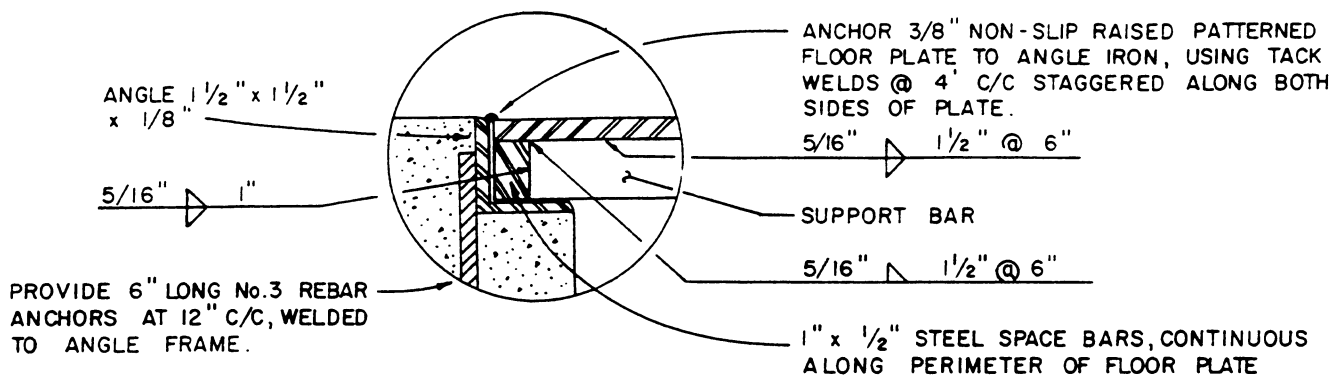
1/2" EXP. JOINT (TYP.)
6" (TYP.)

No. 3 REBAR @ 12" C/C, E.W.



EXTEND CHASE REBAR 18" INTO CUT-OFF WALL AS SHOWN.

CITY OF COLORADO SPRINGS			
CURB OPENING DETAIL			
APPROVED BY <i>Jay E. Haynes</i> CITY ENGINEER			
SCALE: NO SCALE	DATE: JAN. 89	DRAWN: P.L.B.	SHEET: D-21A 1 OF 2



DETAIL ①

TYPE OF WALK	MIN. TOTAL LENGTH (L) OF PLATE
ATTACHED	WALK WIDTH + 10 1/2 "
DETACHED OR ROADWAYS WITHOUT WALKS	VARIABLE, HOWEVER ENTIRE CHASE SECTION SHALL BE COVERED WITHIN PUBLIC R.O.W. (SEE NOTE 5)

1" x 3/4" SUPPORT BAR REQUIREMENTS	
FLOOR PLATE WIDTH (W)	SUPPORT SPACING (S)
1'	NONE REQUIRED
2'	60" C/C
3'	27" C/C
4'	15" C/C
5'	10" C/C
6'	7" C/C

NOTE: EACH END OF FLOOR PLATE SHALL BE SUPPORTED BY SUPPORT BARS, WHEN SUPPORT BARS ARE SPECIFIED. CHASE OPENING (C) = W - 2 3/8 "

NOTES:

- ALL EXPOSED METAL TO BE HOT DIPPED ZINC COATED. FIELD WELDS TO BE TOUCH-UP WITH COLD ZINC COATING.
- WHEN OTHER THAN TYPE I (8") CURB EXISTS, THE CONTRACTOR SHALL REMOVE THE EXISTING CURB TO ALLOW FOR THE REQUIRED TRANSITIONS, AS FOLLOWS: BEGINNING AT THE EDGE OF THE CHASE SECTION, THERE SHALL BE A MINIMUM OF 5 FEET OF TYPE I CURB PLUS 10 FEET OF TRANSITION TO EXISTING CURB TYPE.
- ALL REMOVAL OF EXISTING CURB SHALL BE BY SAW-CUT, OR BY REMOVAL TO AN EXISTING EXPANSION OR COLD JOINT. REMAINING SECTION AFTER SAW CUTTING TO BE MINIMUM 4' IN LENGTH.
- CHASE SECTION TO BE POURED MONOLITHICALLY WITH CURB & GUTTER SECTION AND CUT-OFF WALL.
- WHEN CHASE SECTION LENGTH (L) EXCEEDS 15' PROVIDE TOOL JOINT IN CONCRETE AT MAXIMUM OF 10' SPACING. FABRICATE FLOOR PLATES IN MULTIPLE SECTION NOT TO EXCEED 10' IN LENGTH.

CITY OF COLORADO SPRINGS			
CURB OPENING DETAIL			
APPROVED BY <i>Ray E. Haynes</i> CITY ENGINEER			
SCALE: NO SCALE	DATE: JAN. 89	DRAWN: P.L.B.	SHEET: D-21B 2 OF 2