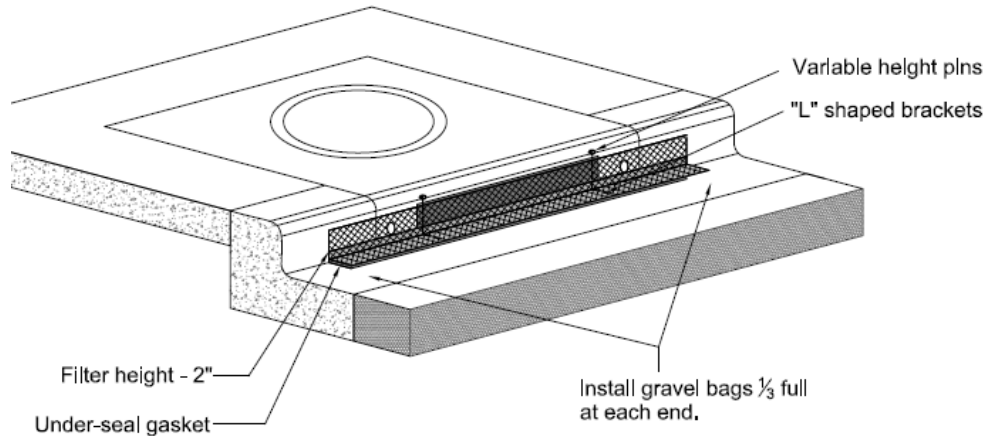


# SWPPP Binder Insert - Curb Inlet Protection

## ERTEC Curb Inlet Guard™

Inlet Size	# of Modules
5.0'	1 Module
10.0'	2 Modules
15.0'	3 Modules
20.0'	4 Modules



### Definition – ERTEC Curb Inlet Guard

A temporary sediment barrier, "L" shaped, made of high density polyethylene (HDPE) with an integrated filter (woven geotextile). During construction, place device over the opening of the curb storm inlet near where soil is disturbed (See drawings).

### Purpose

Storm drain inlet protection is used to intercept sediment laden water at the curb gutter opening and prevent sediment, debris and associated pollutants from entering the storm water underground pipe systems. The barrier reduces water velocity which in turn causes heavier soil particles to be deposited in front. While allowing flow through the module, the barrier filters certain smaller sized particles from suspension and prevents them from flowing through the device and into the pipes. Excessive flows are passed over the top of the filter. Advantages are that it is effective, durable, re-usable, easily installed and cleaned.

### Conditions Where the Practice Applies

It is recommended for use in curb openings in front of areas with small drainage areas. Generally, the drainage areas should be less than 1/3 acre and the total for inlets in series should be 1 acre or less with slopes flatter than 5 percent in the contributing drainage area.

### Design Criteria

- Geo-textile Filter: See drawing for dimensions. Apparent Opening Size (AOS) = 425 micron integrated particle filter. Flow rate (ASTM D-4491) = 145 gpm/ft<sup>2</sup>. Provide a bypass over the top with at least 2 thru-holes of 3" diameter.
- Outer Jacket Material: HDPE. For detailed characteristics contact ERTEC. Module weight = 3.5 lbs. Module height = 7.5". Module length/opening size protected = 6' 3"/5.0 ft. Service temperature (deg F) = -30 to 160.
- Install barrier with the anchor flap facing upstream toward the street. Place small gravel bags containing clean, pea-sized graded gravel on each end of the flap and butt the bags tightly against the curb to keep water in the gutter from flowing behind the Curb Inlet Guard. Additional bags can be placed on the flap as necessary. The bag should be durable enough to last the period of intended use. If the storm inlet opening exceeds 5.0' in length, overlap one of module by 6" over end of adjoining module for a continuous run until the desired length is achieved. When overlapping, note the gasket material under the flap is cut-out where the flap of top module sits on flap of bottom module. See installation guide for more details and installation alternatives.

### Maintenance

Perform maintenance as required. Inspect following rainfall events and at least daily during prolonged rainfall. Maintain to provide an adequate sediment holding capacity. Debris shall be removed daily and sediment shall be removed when the sediment accumulation reaches 1 inch. Removed sediment shall be incorporated in the project at designated locations or disposed-of outside the project or in conformance with requirements. Remove the device after final stabilization has been achieved.



**Curb Inlet Guard™**

[www.ertecsystems.com](http://www.ertecsystems.com)

Toll Free: 866-521-0724

# ERTEC<sup>®</sup> Curb Inlet Guard<sup>™</sup> — For drainage inlets with curb openings only

## Installation Guide

**Table 1**

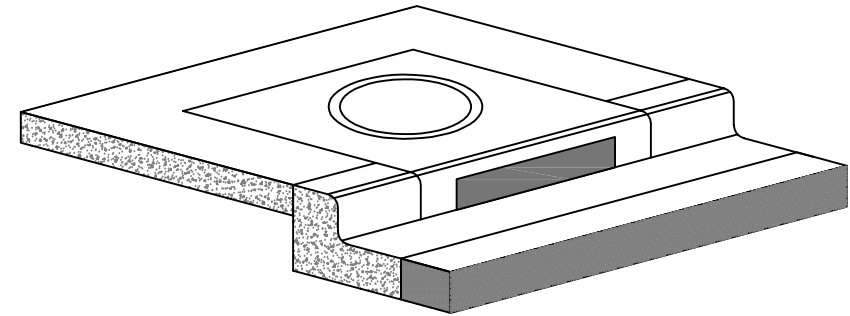
Inlet Size	# of CIG Segments
5'	1
10'	2
15'	3
20'	4

### Construction Details

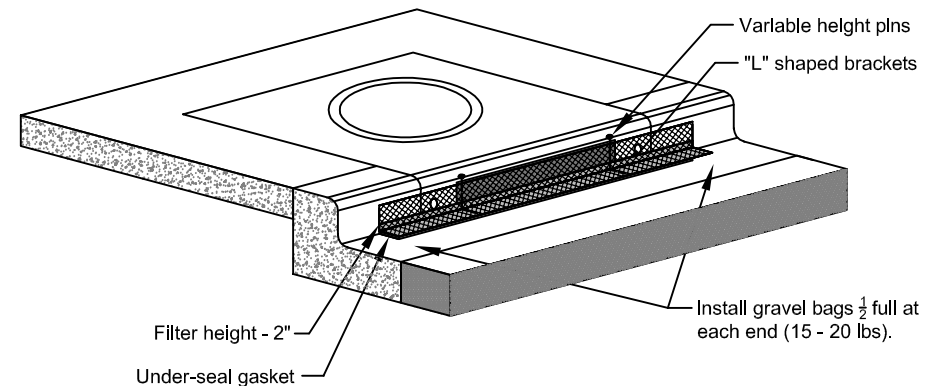
- \* Minimum 2 integrated "L" Brackets
- \* Minimum 2 variable-height pins for curb
- \* Filter height = 2 inches
- \* UV resistant HDPE outer jacket
- \* Under-seal gasket to prevent underflow
- \* CIG height = 8 inches
- \* CIG length = 6.25 feet

### Installation Notes

- Placement:** Place CIG tightly against drain opening with metal variable height pins at top and horizontal flap pointing away from curb. Position CIG so that water cannot flow behind.
- Change height for high openings:** for high curb openings, extend variable height pins upward as needed (Fig 1). Twist to lock.
- Interconnecting for long curb openings:** Overlap segments so the bottom gasket provides a continuous seal. One end of each segment has a cut-out in the gasket layer for overlapping (Fig 2). Each 6.25' segment fits a 5 foot opening or smaller. Use 2 segments for 8 to 10 foot opening, 3 for a 15 foot opening, etc. (Table 1). Position gravel bag at overlap (Fig 3). If necessary tie segments together with rebar tie-wire or cable-ties (Fig 4).
- Alternative anchor methods:** **A)** Install gravel bags at each end and at overlaps. Use ½ full bags (15 to 20 lbs) with round rock for low profile and best traffic avoidance. Use clean gravel at drain inlets, not sand. Select bags with long UV resistance and toughness for resistance to traffic. Or where it is not possible to install gravel bags due to traffic proximity, **B)** anchor with concrete anchors, or masonry nails, one at each end or **C)** secure with outdoor caulking around edges.

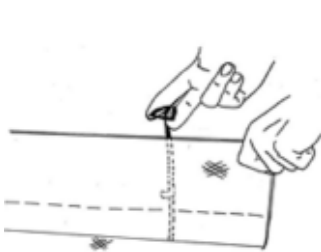


**Unprotected drainage inlet**

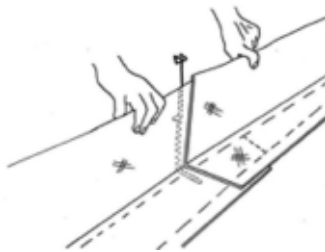


**ERTEC<sup>®</sup> Curb Inlet Guard<sup>™</sup>**  
**Protected drainage inlet**

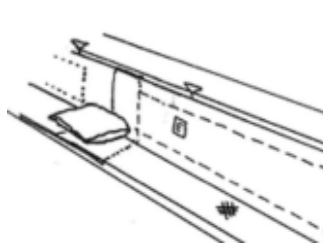
**Fig 1**



**Fig 2**



**Fig 3**




**Fig 4**



**Maintenance:** Perform maintenance as required. Inspect following rainfall events and at least daily during prolonged rainfall. Maintain to provide an adequate sediment holding capacity. Debris shall be removed daily and sediment shall be removed when the sediment accumulation reaches 50% of the barrier height. Removed sediment shall be incorporated in the project at designated locations.

**Important:** All information, including illustrations, is believed to be reliable. Users, however, should independently evaluate the suitability of each project for their application. ERTEC Environmental Systems makes no warranties as to the accuracy or completeness of the information, and disclaims any liability regarding its use. ERTEC Environmental System's only obligations are those in the ERTEC Environmental Systems Standard Terms and Conditions of Sale for this product, and in no case will ERTEC Environmental Systems or its distributors be liable for any incidental indirect or consequential damages arising from the sale, resale, use or misuse of the product. Specifications are subject to change without notice. In addition, ERTEC Environmental Systems reserves the right to make changes, without notification to Buyer, to processing or materials that do not affect compliance with any applicable specification.

 <b>ERTEC</b> ENVIRONMENTAL SYSTEMS 1150 Ballena Blvd, Suite 250 Alameda, CA 94501 P. 866-521-0724 F. 510-521-3972 <a href="http://www.ertecsystems.com/">http://www.ertecsystems.com/</a>	U.S. and International Patents Apply © 2009-15 ERTEC Environmental Systems	
	File Name: ERTEC - Installation Guide Curb Inlet Guard.dwg	
Layout Name: <b>P1 Details</b>		
Scale:	Default Print Size:	Page:
NONE	8.5" x 11"	1 of 1