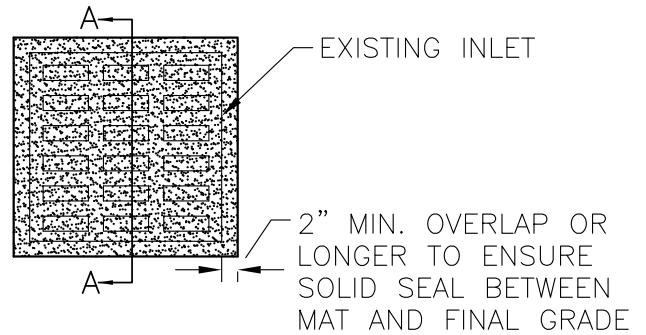
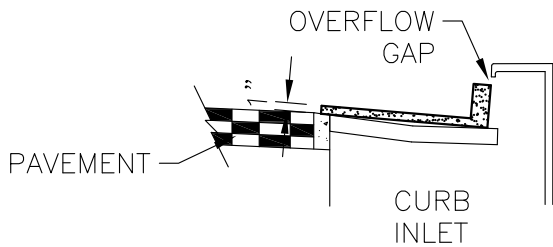


PLAN

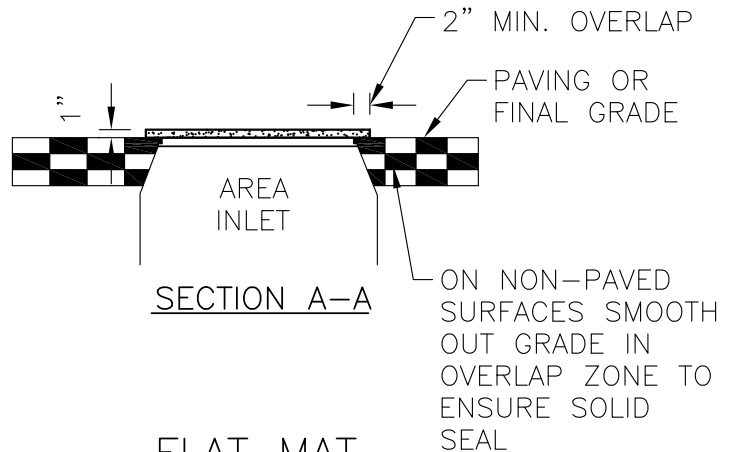


PLAN



SECTION A-A

MAT WITH LIP
 FOR COMBINATION
 INLETS



SECTION A-A

FLAT MAT
 FOR AREA INLETS
 FLUSH WITH GRADE

ON-GRADE INLET PROTECTION INSTALLATION NOTES:

1. MATS MAY BE TIED DOWN WITH TIE WIRE TO SECURE MAT IN PLACE IF REQUIRED BY EROSION CONTROL INSPECTOR.
2. MATS MAY BE CUT TO FIT INLET SIZE.

ON-GRADE INLET PROTECTION INSPECTION AND MAINTENANCE NOTES:

1. THE EROSION CONTROL SUPERVISOR SHALL REGULARLY INSPECT THE MAT.
2. THE MAT SHALL REMAIN IN PLACE AND PROPERLY MAINTAINED UNTIL EROSION AND SEDIMENTATION IS NO LONGER A POSSIBILITY AS DETERMINED BY THE INSPECTOR.
3. ACCUMULATED SEDIMENT SHALL BE REMOVED AS SOON AS POSSIBLE, IMMEDIATELY IN MOST CASES.